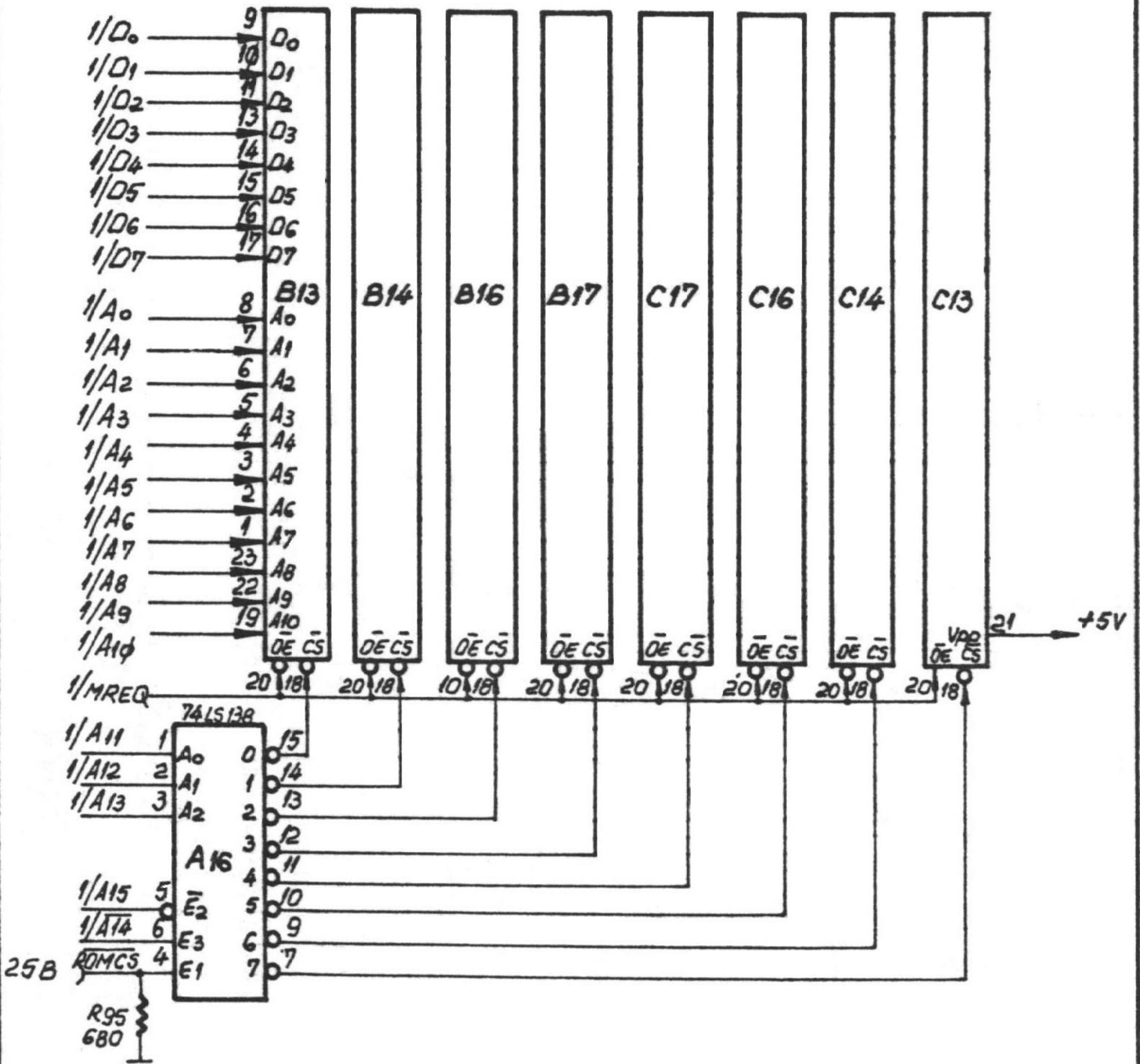


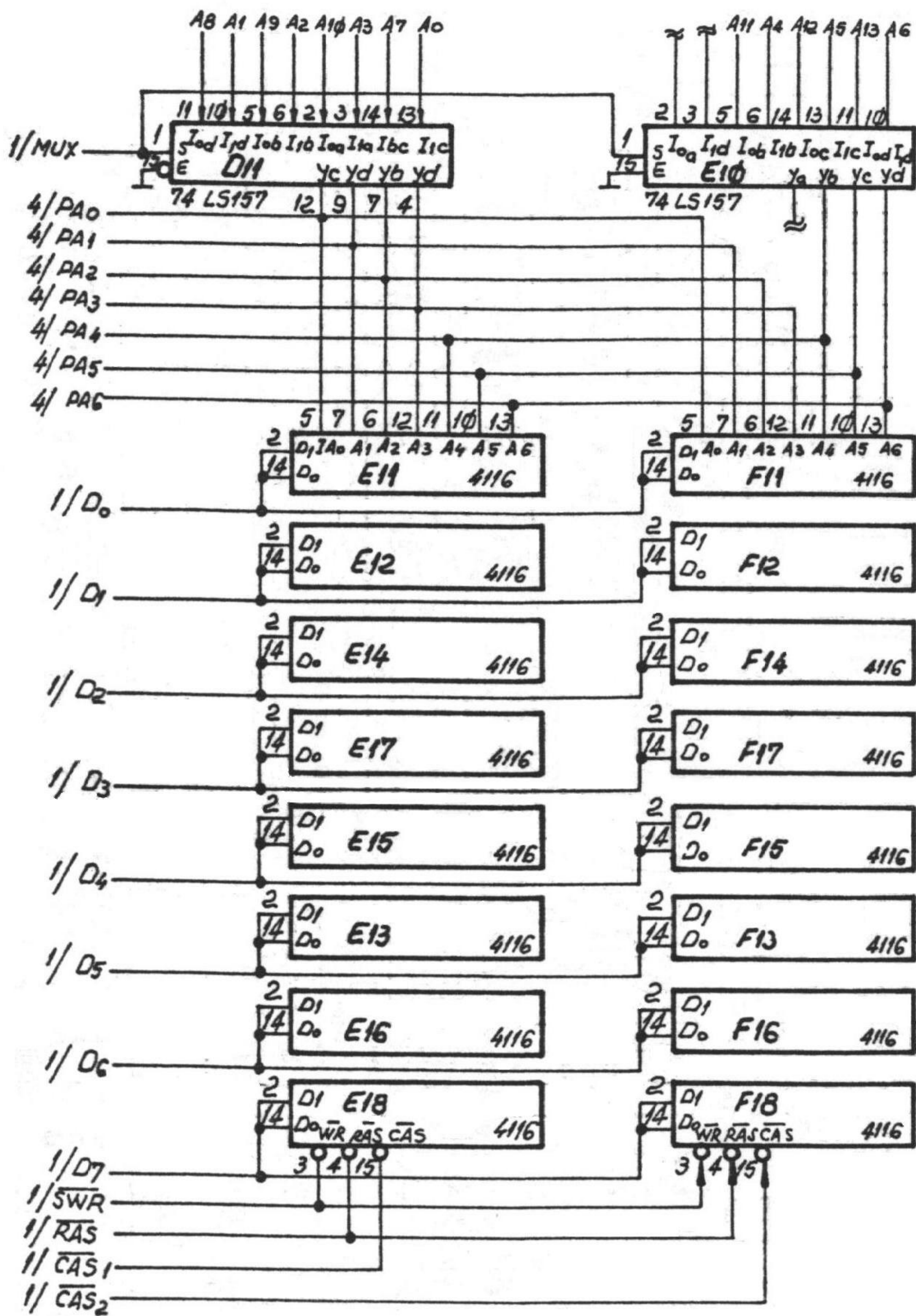
S0 - BOTON RESET
 E - CONECTOR EXTENSIE
 K - CONECTOR CLAVIATURA

HC 85 LOGIC DIAGRAMS			URC
ICE.	Rev.	869.400.001	
		CPU	Fila 1 din 10

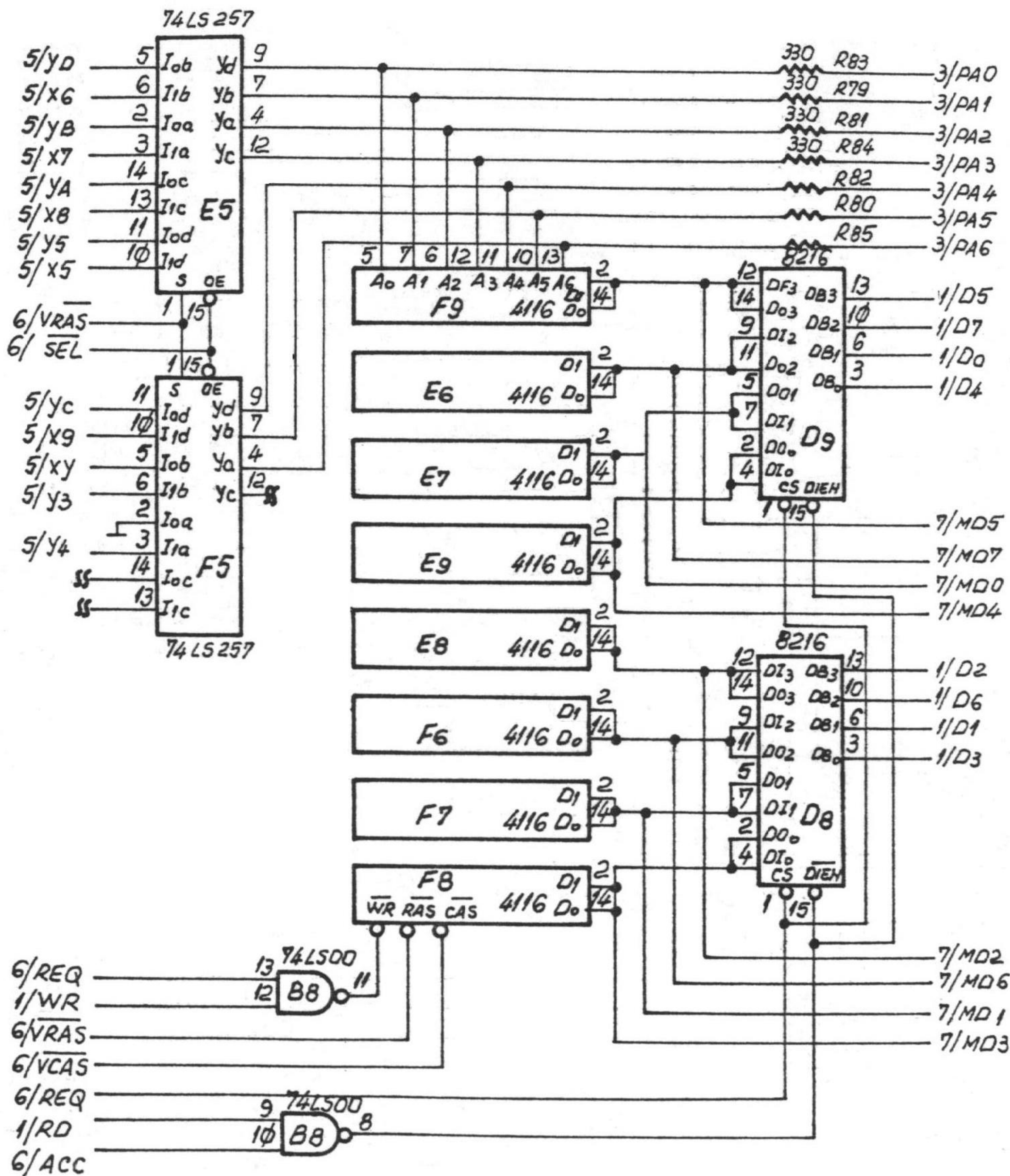
8x 2716



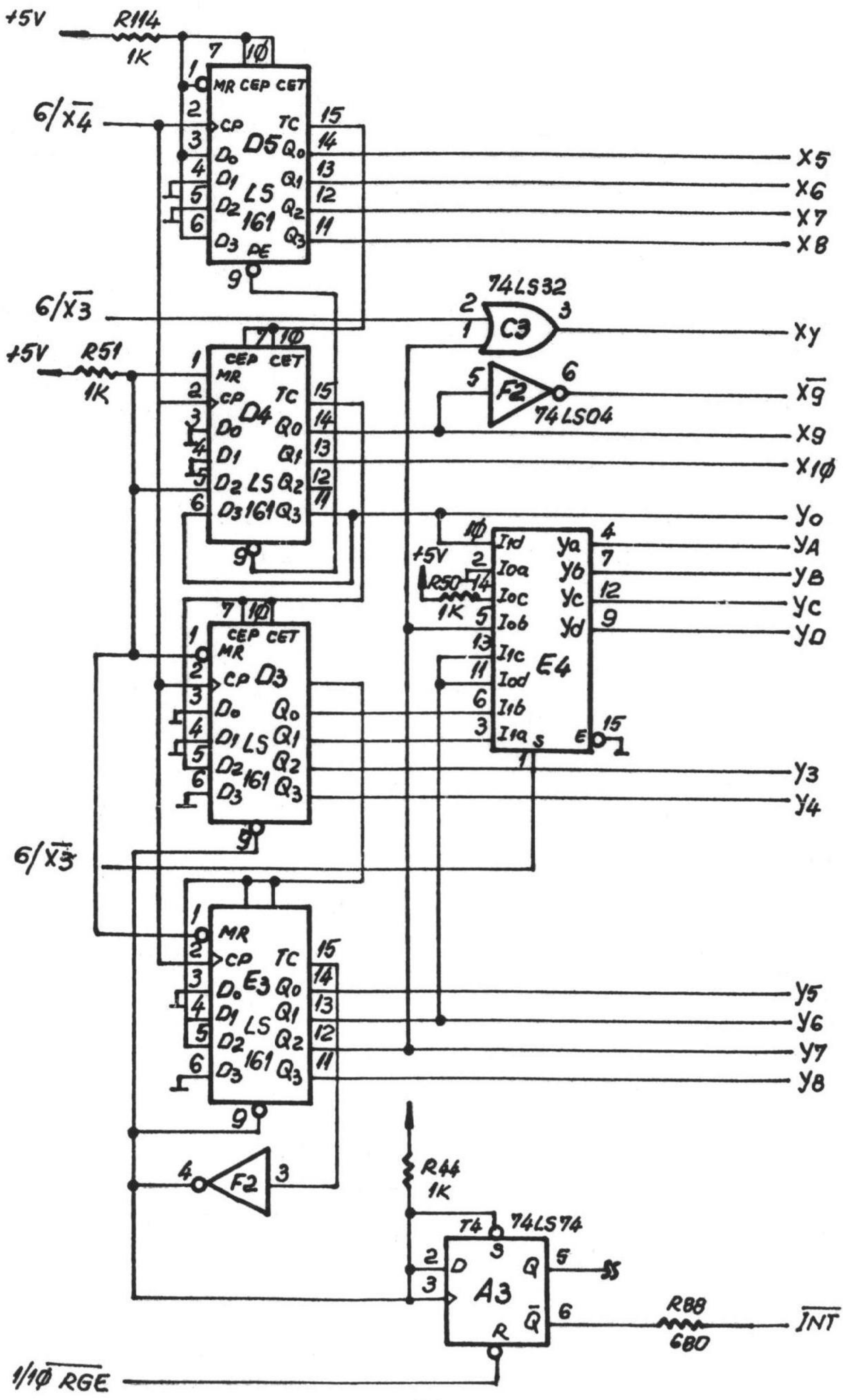
HC 85 LOGIC DIAGRAMS		URC
I.C.E.	Rev.	869.400.001
ROM		File 2 dia 10



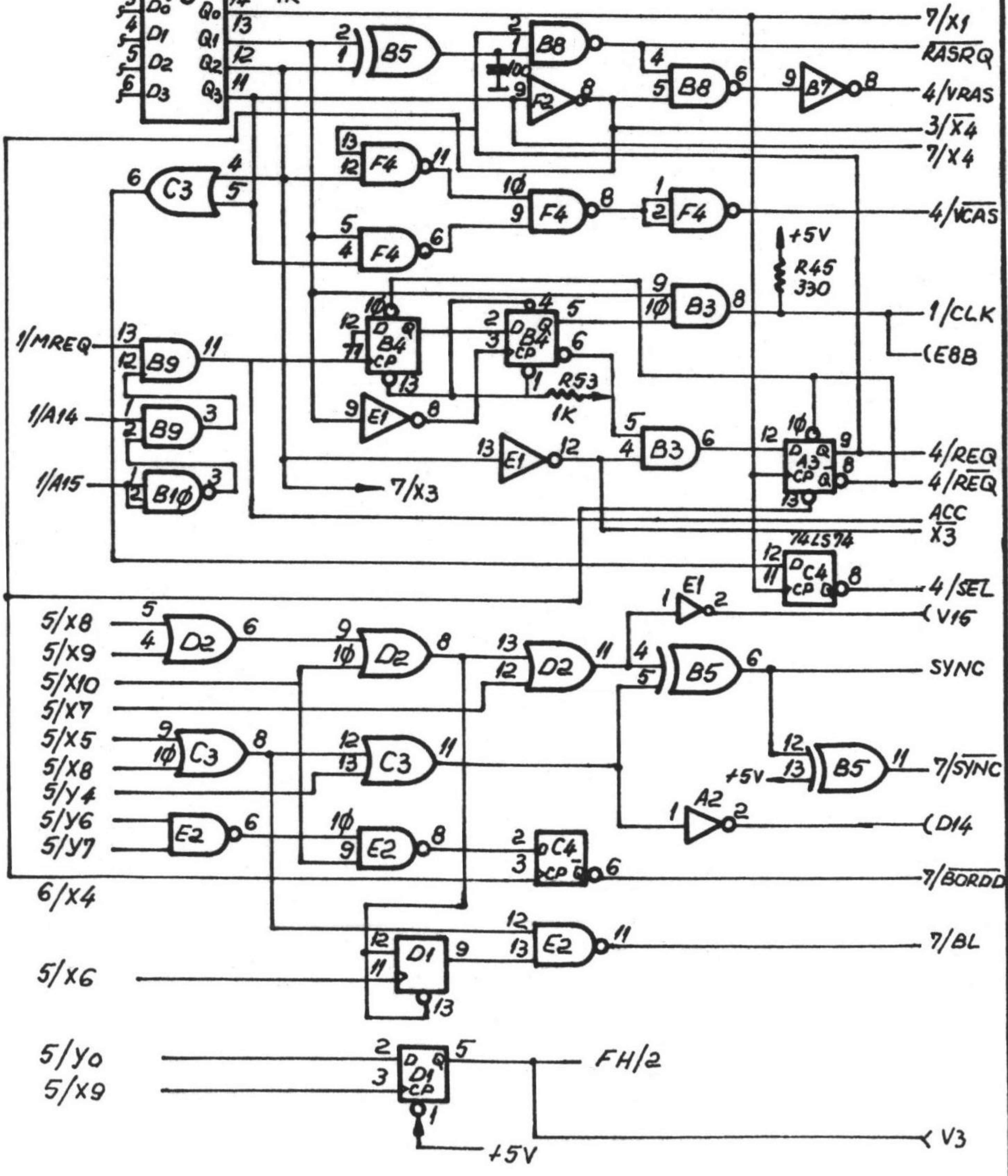
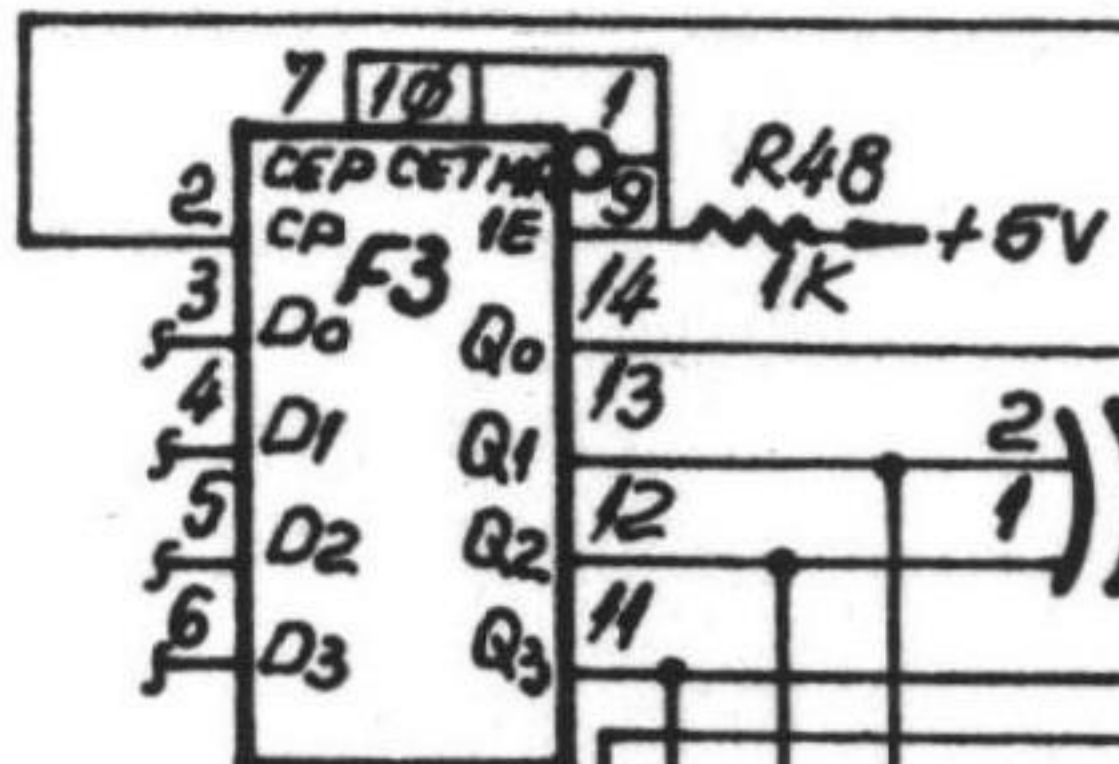
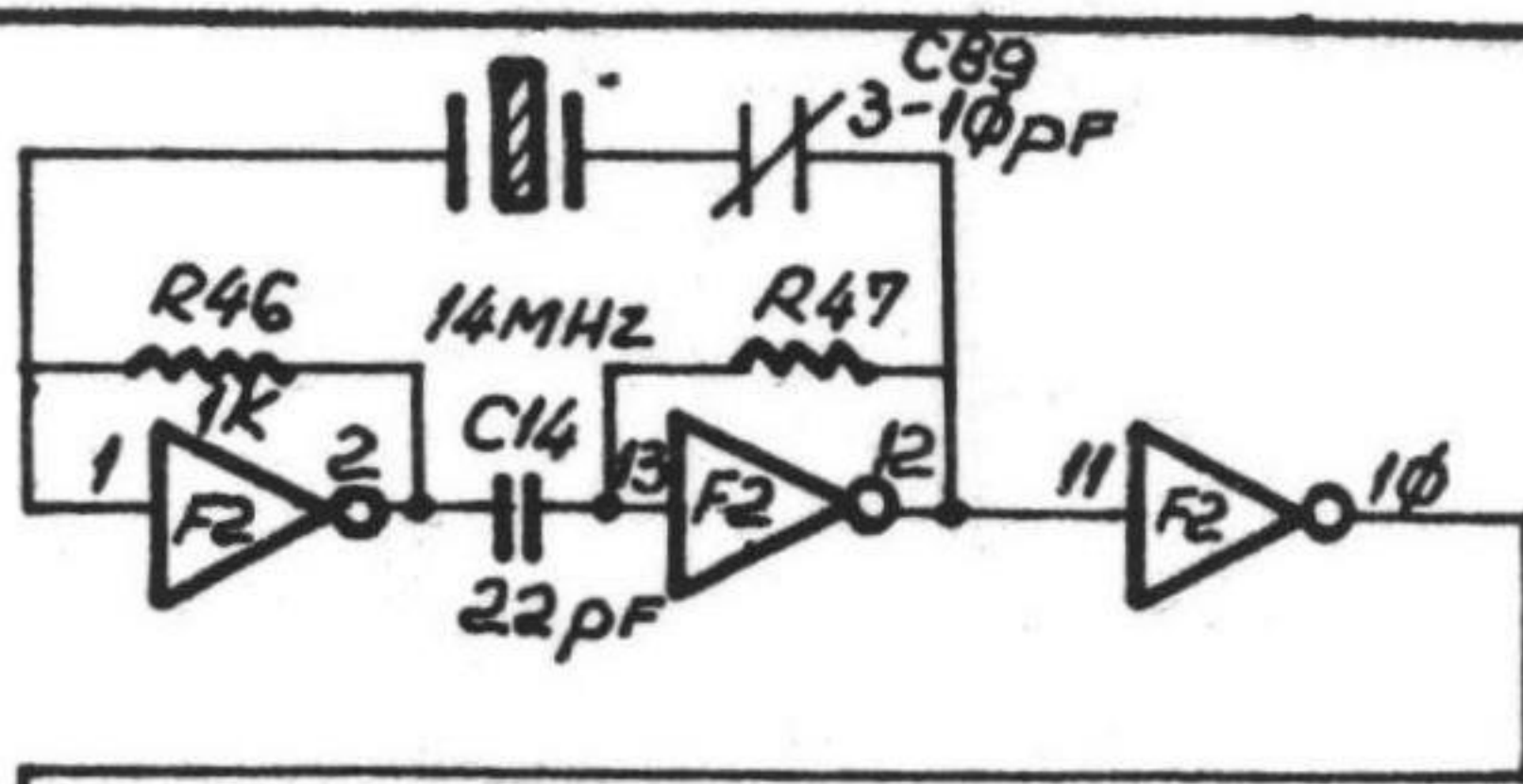
HC 85 LOGIC DIAGRAMS			URC
I.C.E.	Rev.	869 400 001	
		32K RAM	Fila 3 din 10



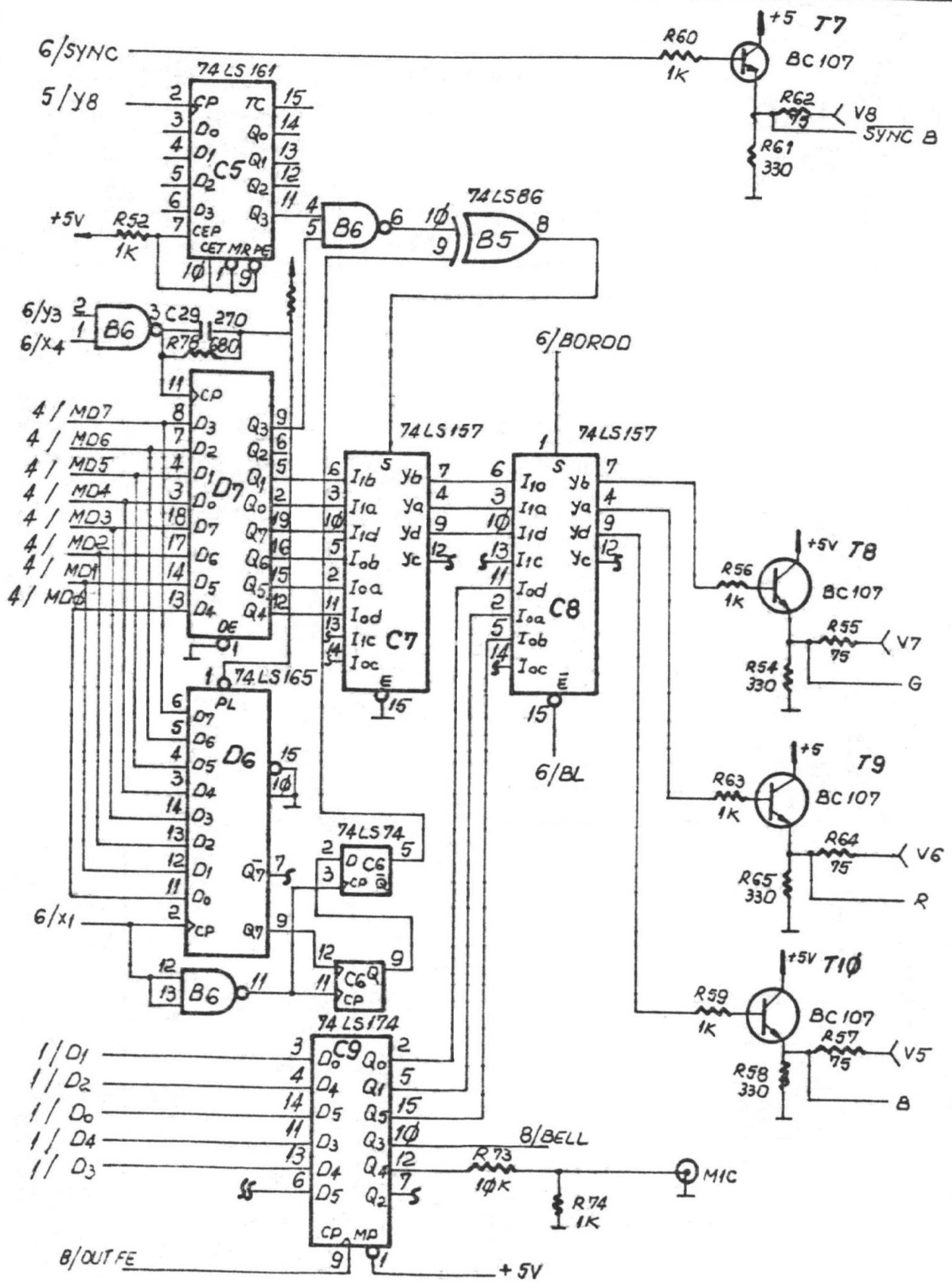
HC 85 LOGIC DIAGRAMS			URC
I.C.E.	Rev.	869.400.001	
VIDEO RAM			Fila 4 din 10



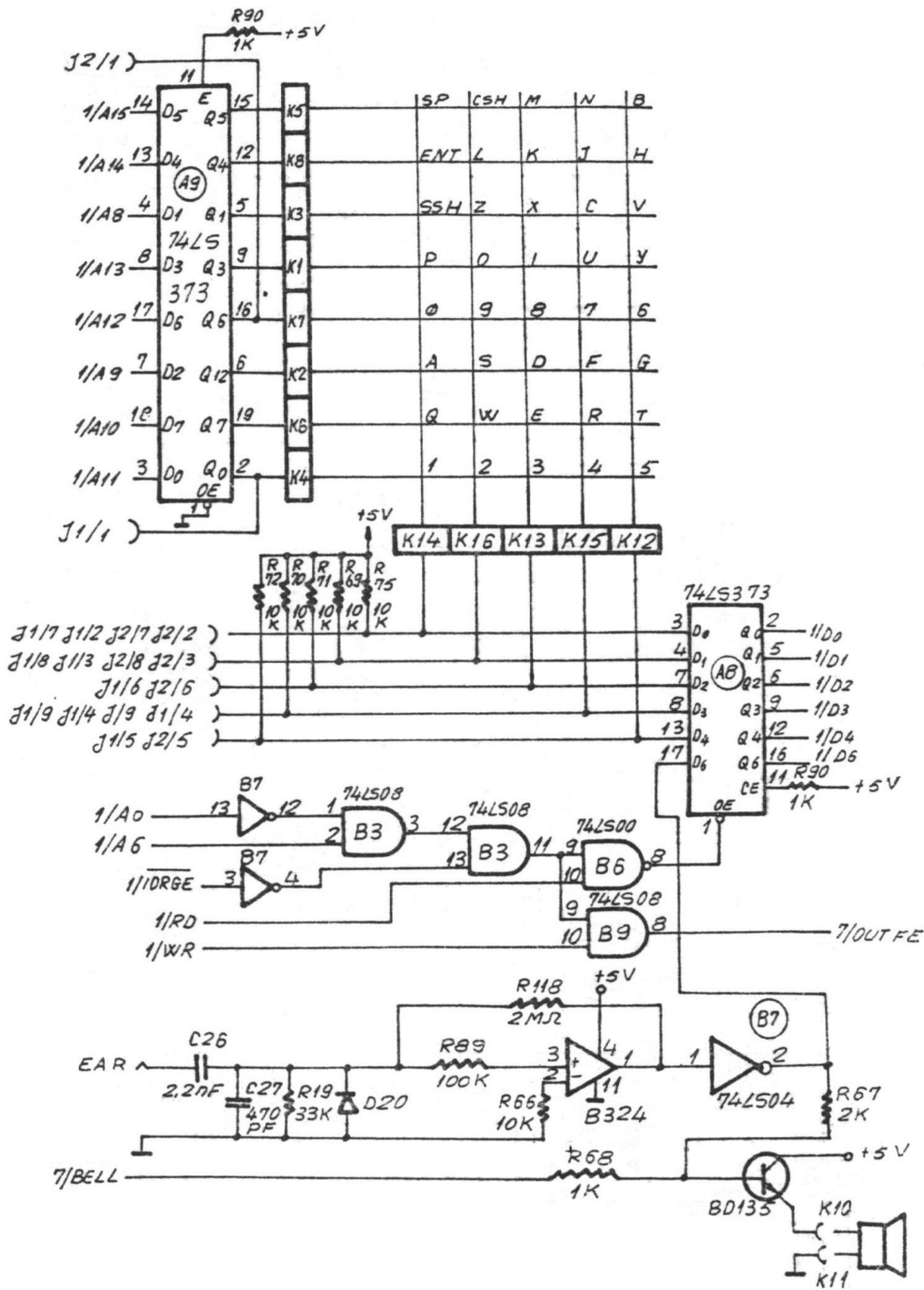
HC 85 LOGIC DIAGRAMS		URC
I.C.E.	Rev.	869.400.001
SINCRO GENERATOR		Fila 5din 10

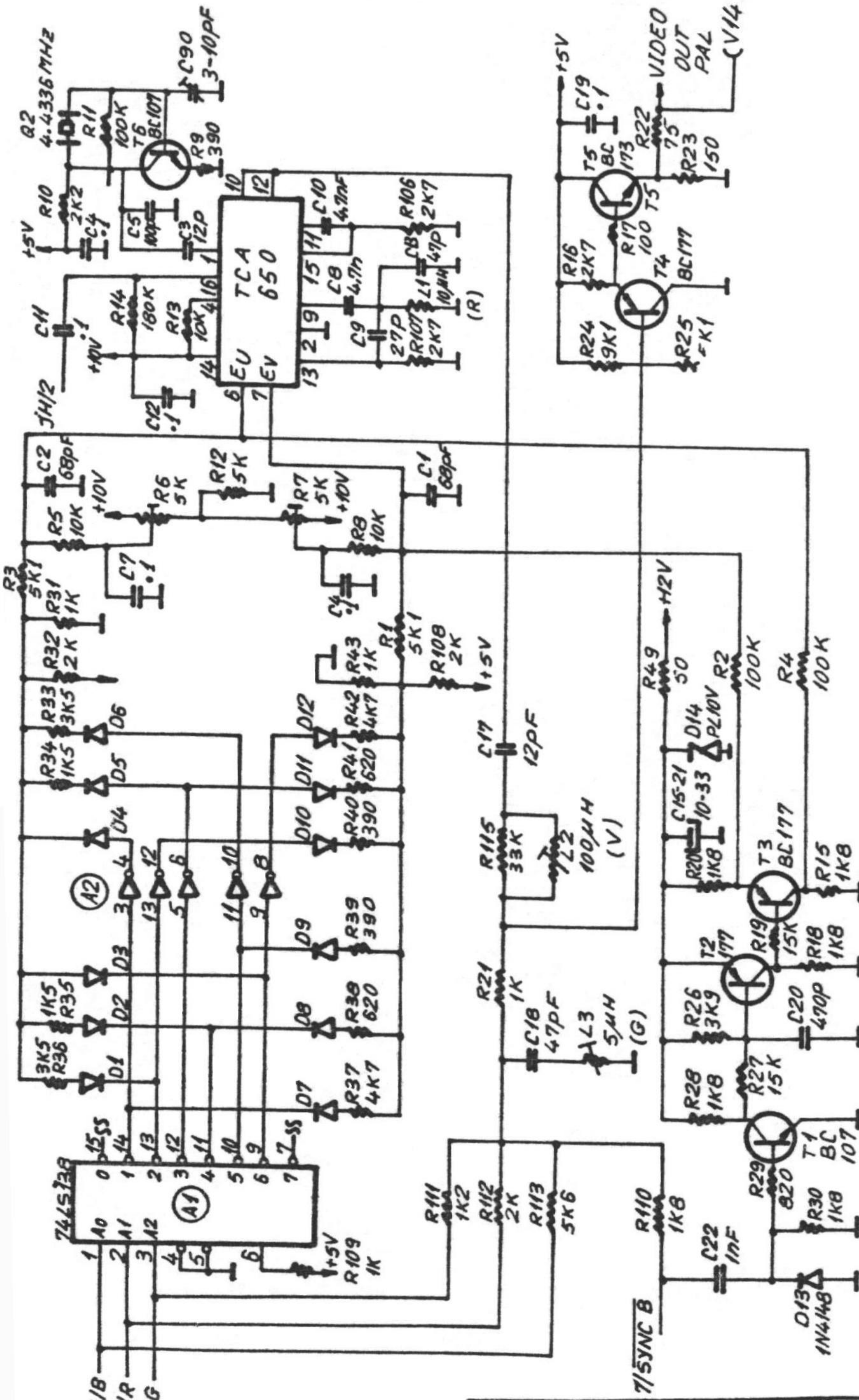


HC 85 LOGIC DIAGRAMS			URC
I.C.E.	Rev.	869.400.001	
TIMING			Fila 6 din 10

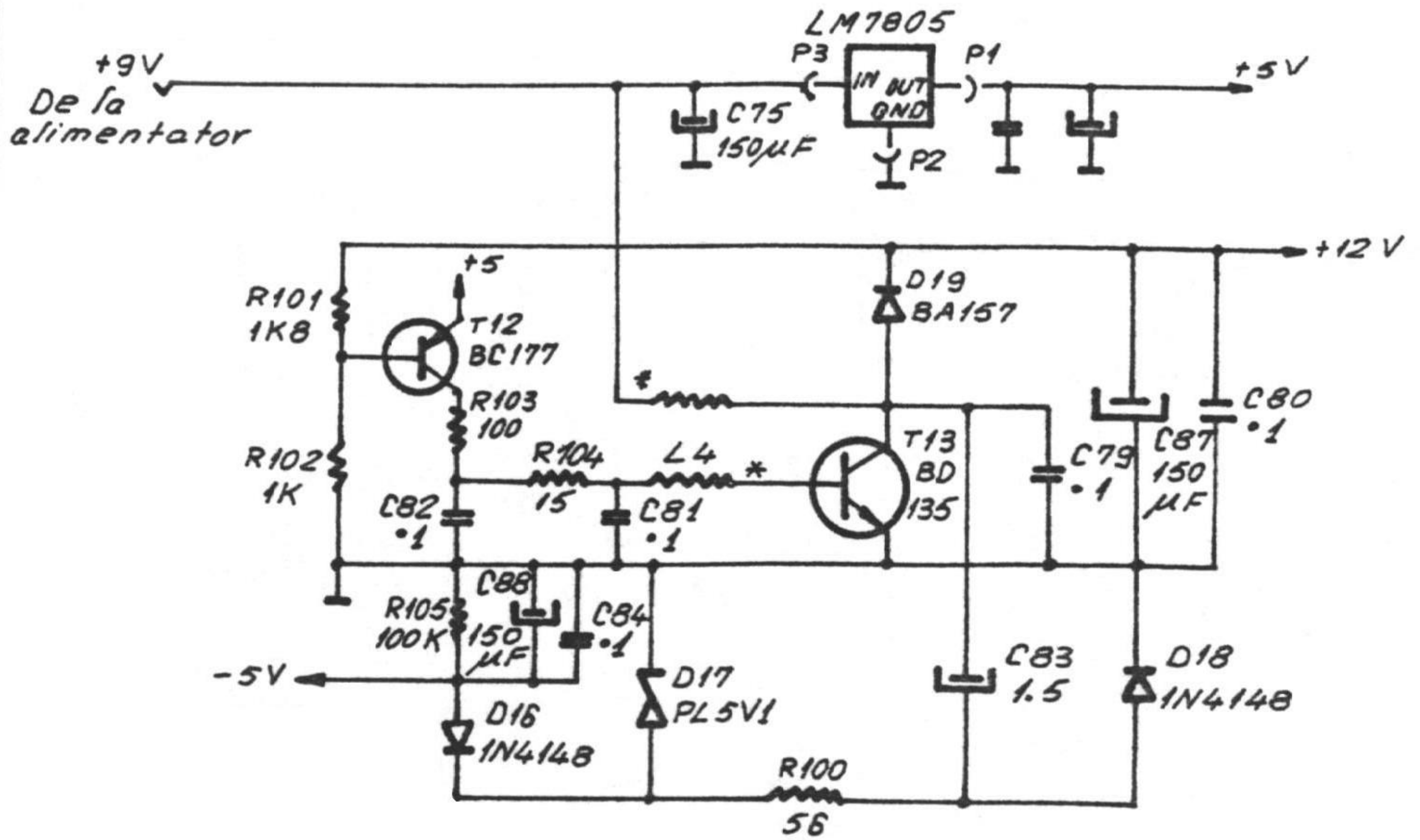


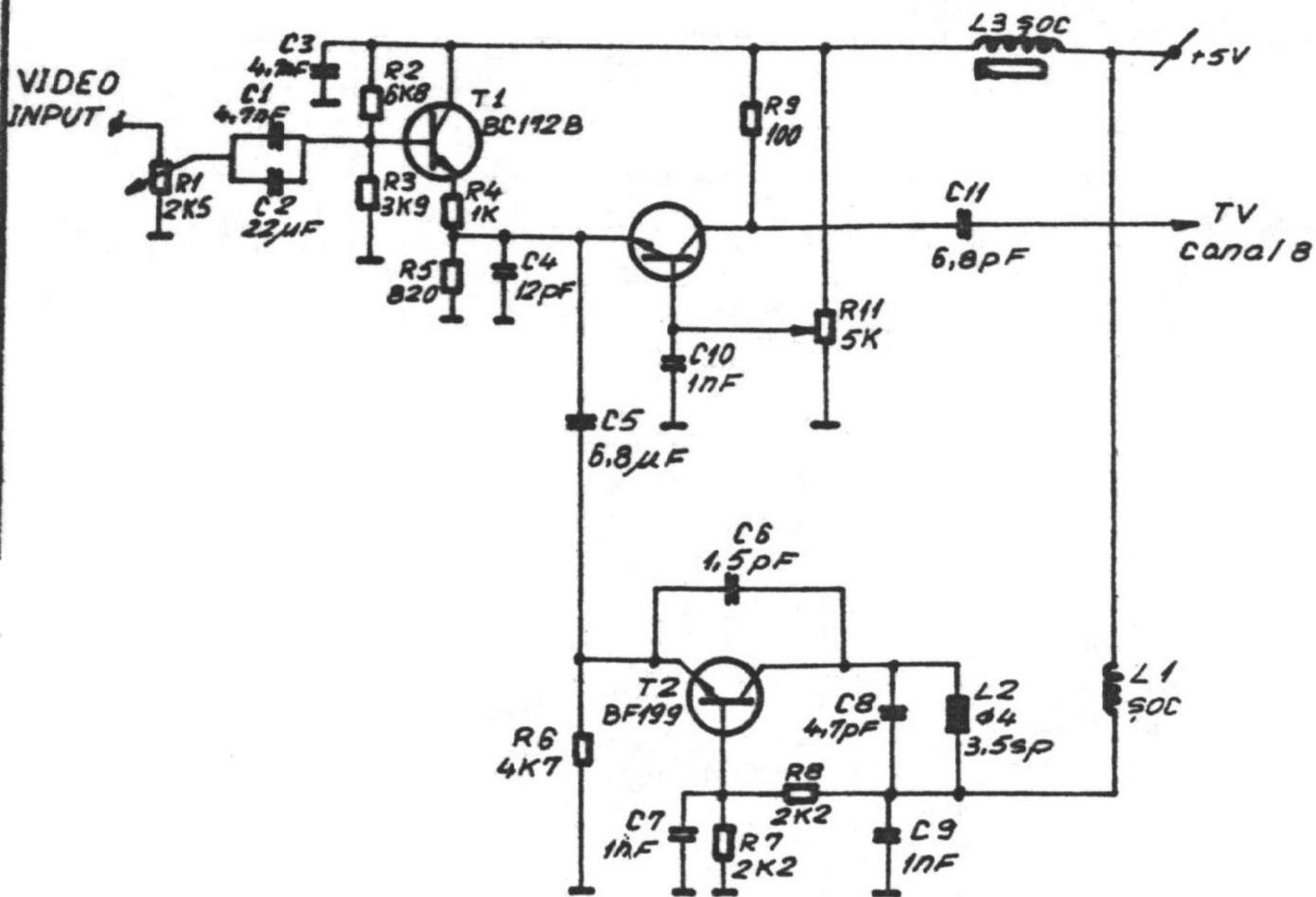
HC85 LOGIC DIAGRAMS		URC
I.C.E.	Rev.	869 400 001
ATTRIBUTES		Fila 7 din 10



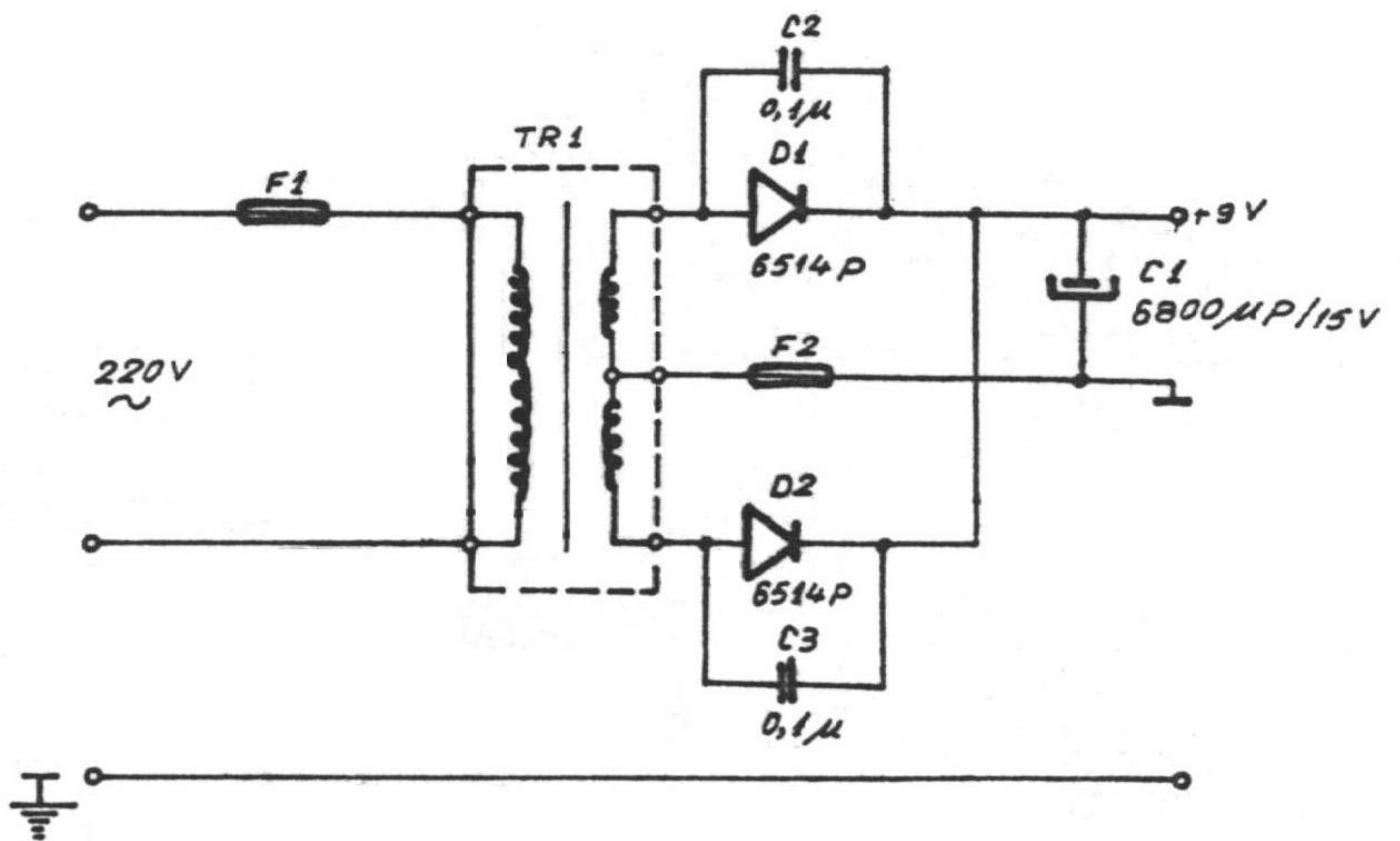


HC 85 LOGIC DIAGRAMS		URC
I.C.E.	PAL CODER	
	869.400.001	Fila 9 din10

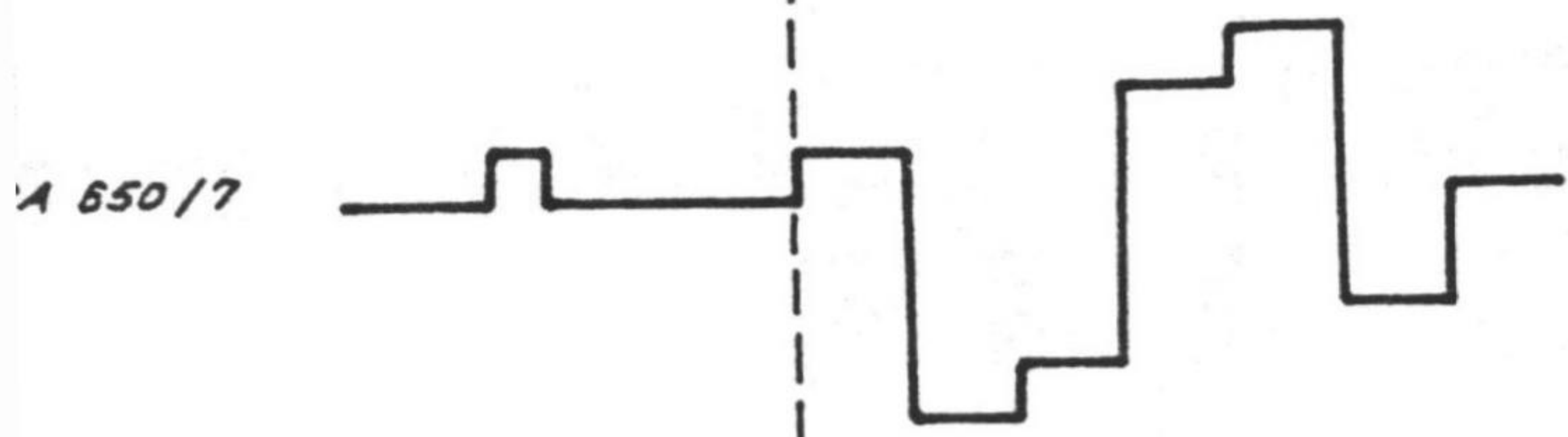
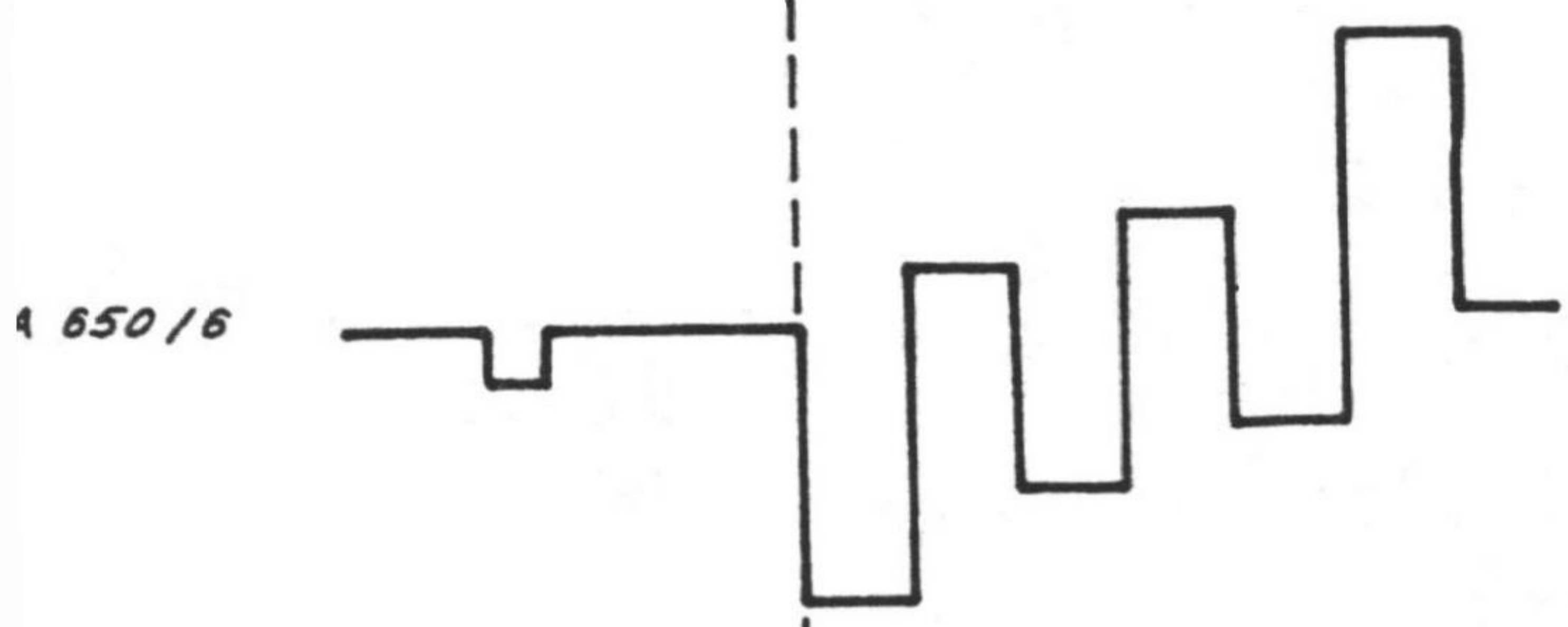
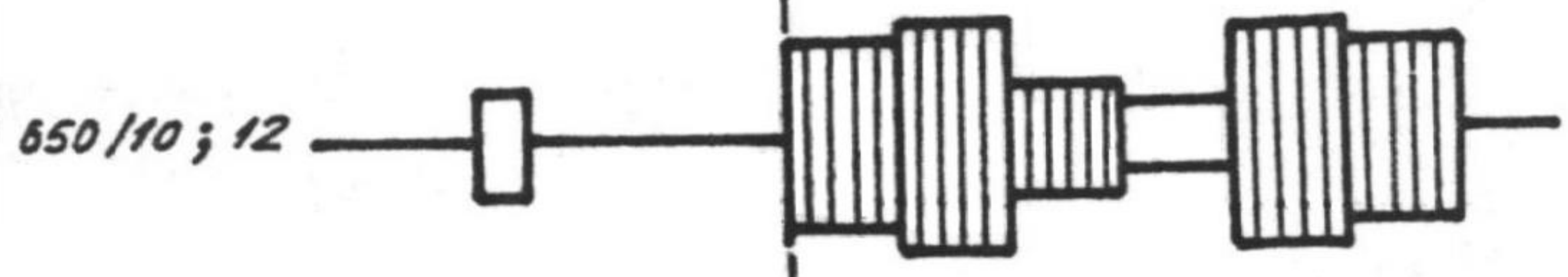
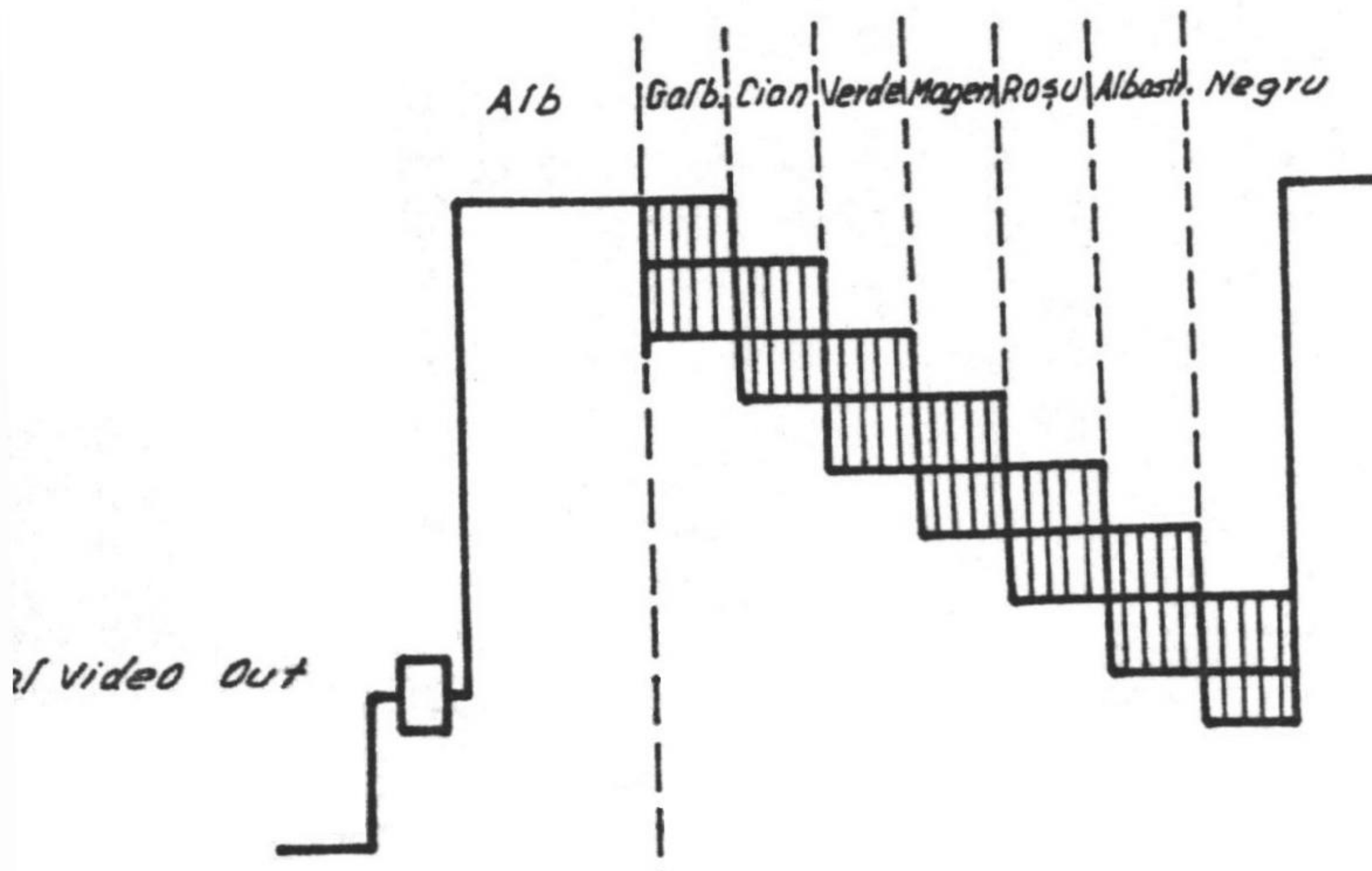




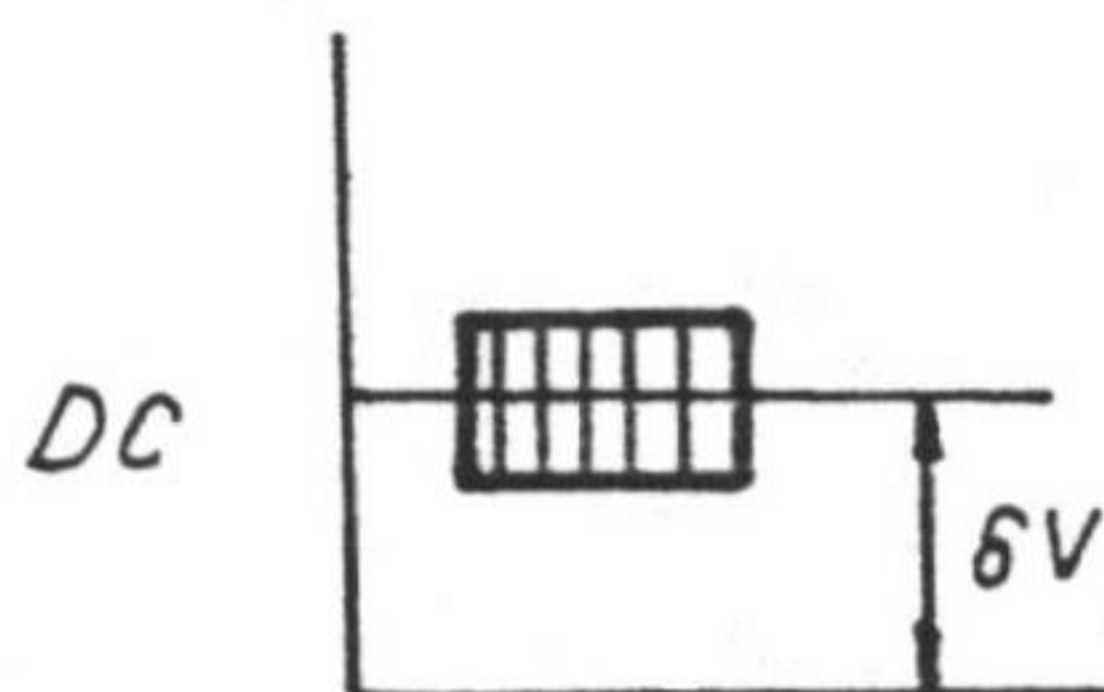
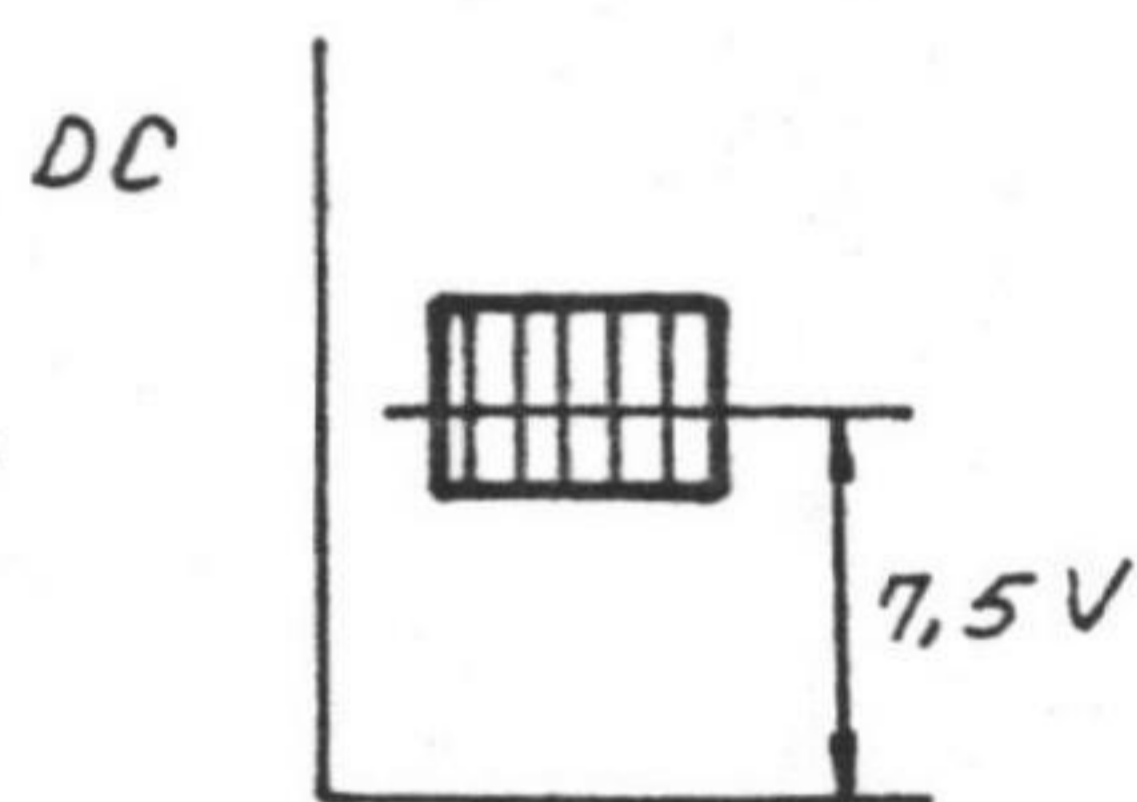
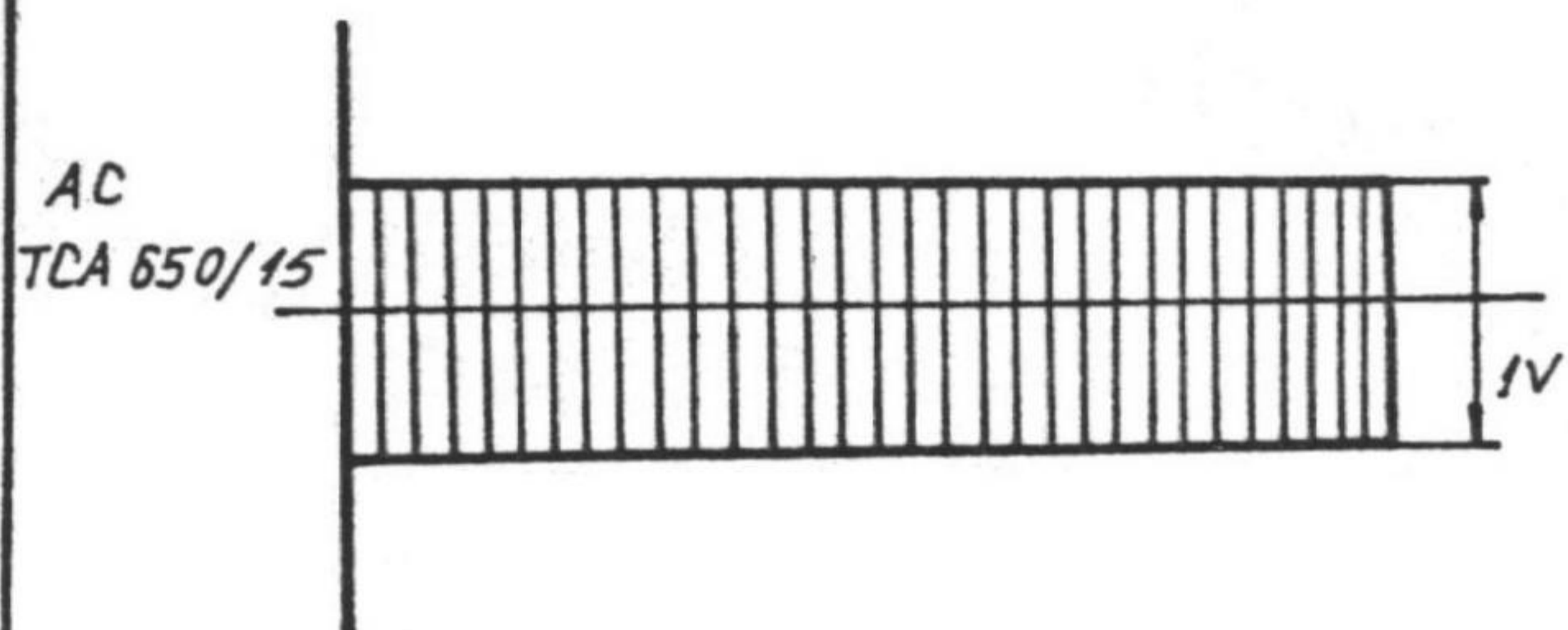
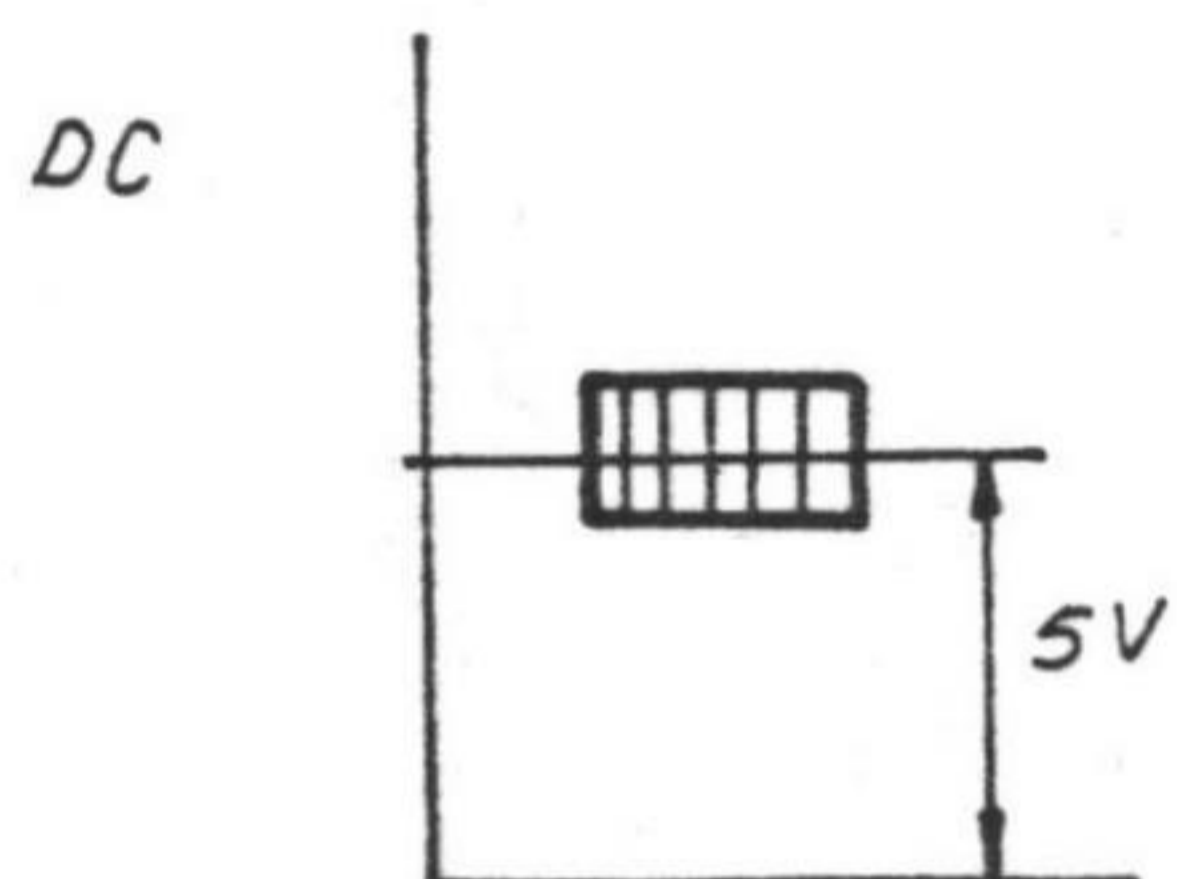
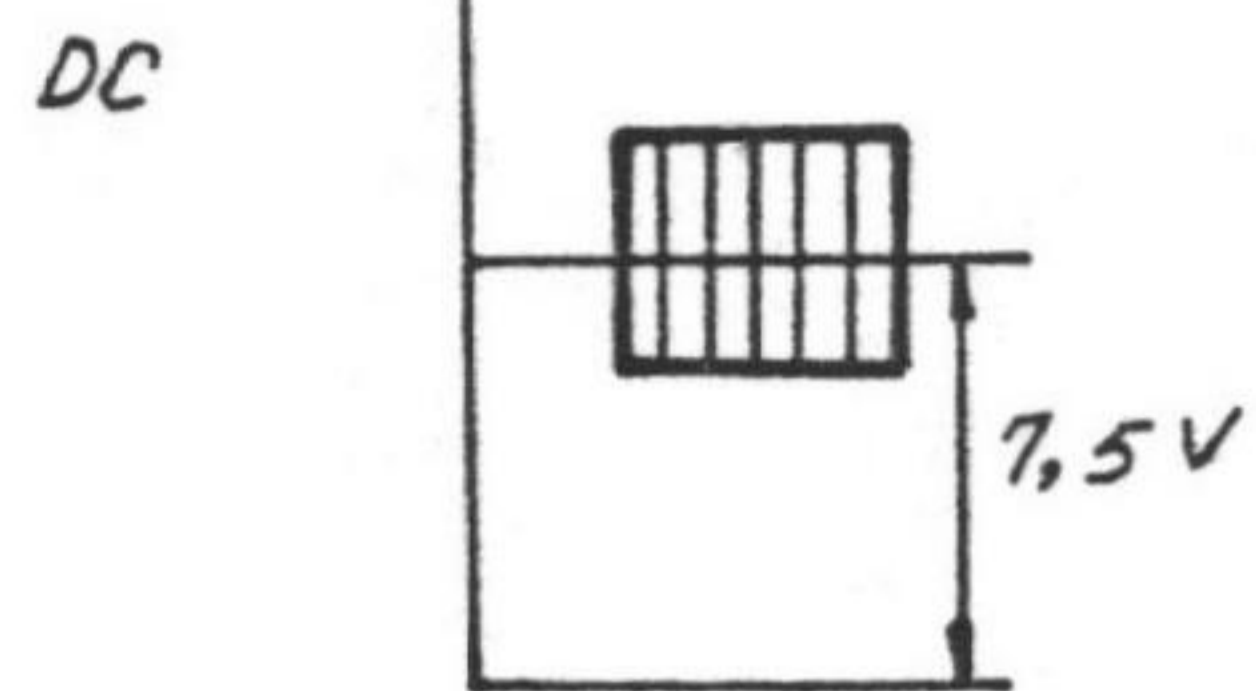
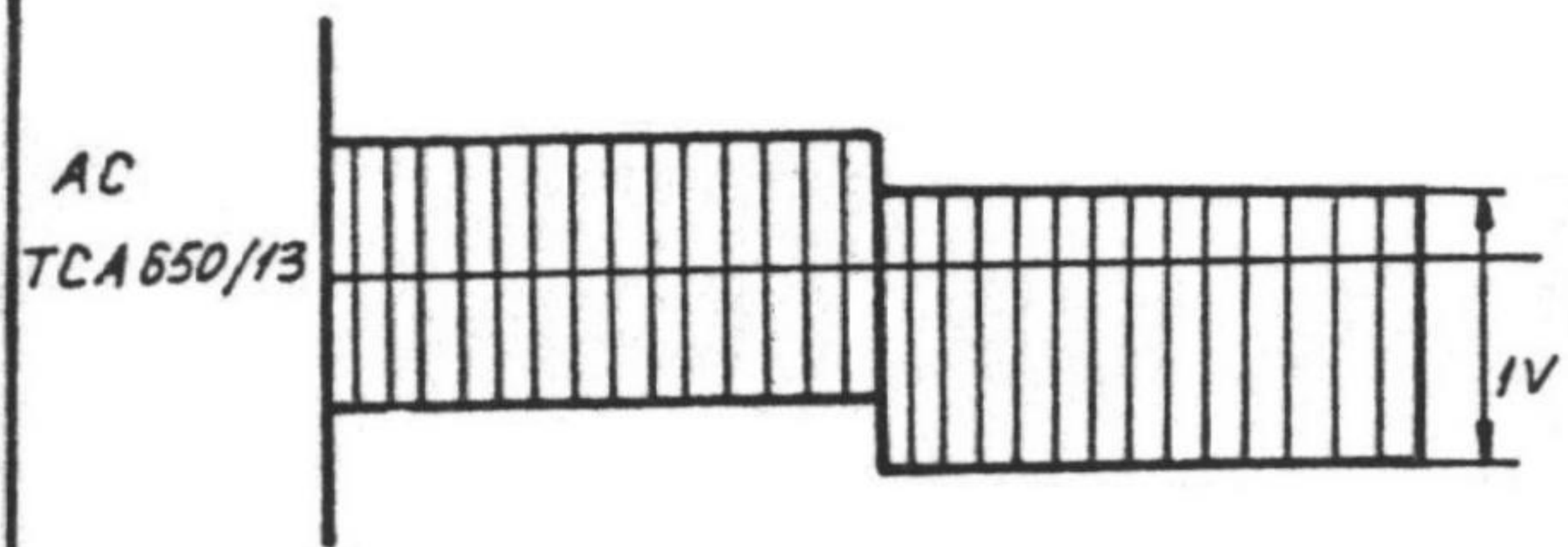
NOTA: Modulatorul se fabrică la Electronica.



HC 85 LOGIC DIAGRAMS		URC
I.C.E.	HC POWER SUPPLY	
	869 400 001	Fila 1 din 1



PAL CODER DIAGRAMS		
I.C.E.	869.400.001	Fila 1 din 2



PAL CODER DIAGRAMS		URC
I.C.E.	869-400.001	Fila 2 din 2